

FIGURE 7-4 LBB 3516/05 Extension cable assembly (5m) (16.4 ft.)

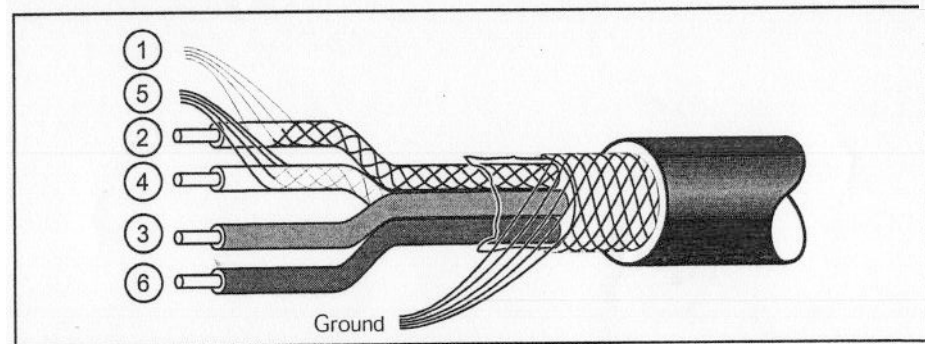
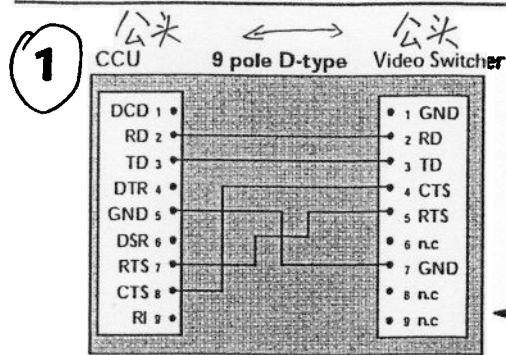
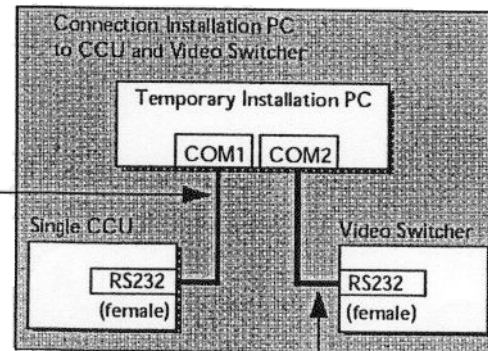
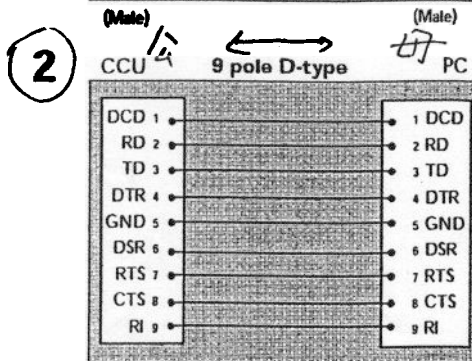
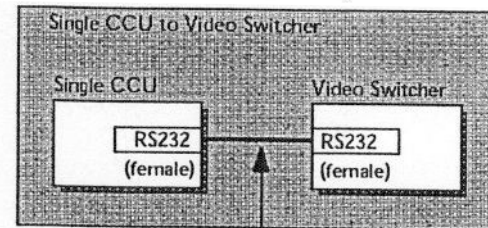


FIGURE 7-5 DCN Cable connection details

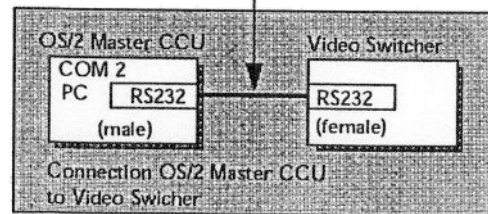
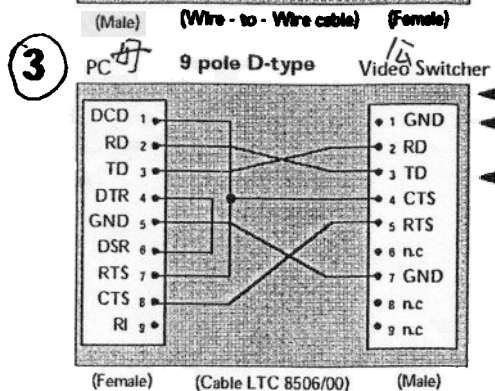
- PIN 1 Down-link screen/ground 下行屏蔽线 ①
- PIN 2 Down-link signal (green) 下行信号线 (绿色) ②
- PIN 3 Positive supply (max. 40V) (brown) 电源线 (褐色) ③
- PIN 4 Up-link signal (white) 上行信号线 (白色) ④
- PIN 5 Up-link screen/ground 上行屏蔽线 ⑤
- PIN 6 Positive supply (max. 40V) (blue) 电源线 (蓝色) ⑥



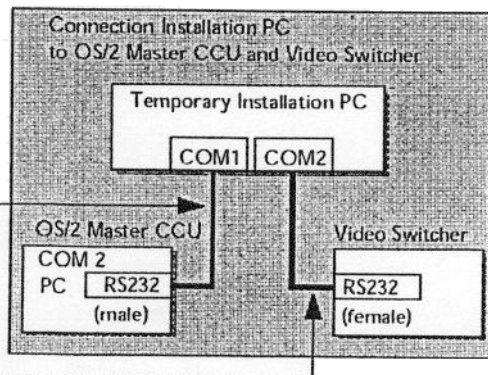
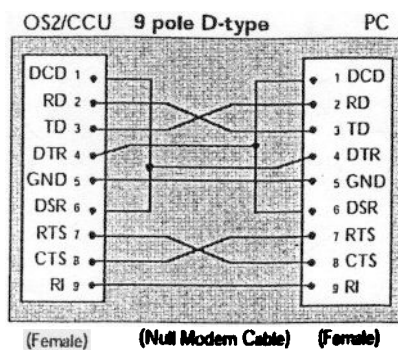
半米长即可 壹根



2米长即可 壹根



2米长即可 壹根



这根线不做